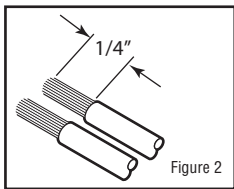


This Kit Contains:

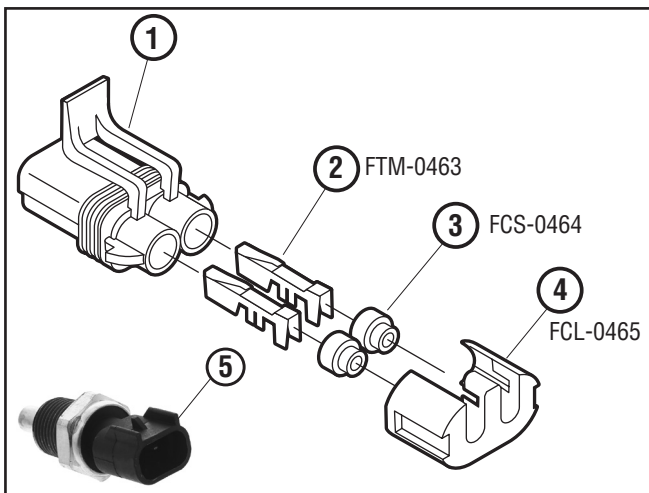
KEY	PAI NO.	OEM REFERENCE	DESCRIPTION	QTY
1	FCN-0462	MAK 954AM14	Connector	1
2	FTM-0463	MAK 925AM3	Terminals	2
3	FCS-0464	MAK 970AM1	Connector Seals	2
4	FCL-0465	MAK 971AM9	Connector Lock	1
5	FSU-0560	MAK 64MT2112M	Sensor	1

Sensor Kit PAI # FSU-0554 (64MT298AM) has been updated with a new sensor PAI # FSU-0560 (64MT2112M), which has new Weather Pack Wire Connections. It is necessary to change the plug on the Wire Harness to connect the new Sensor. (Figure 1)

Cut old plug from harness and slide Seals FCS-0464 (Key 3) onto wires. Strip wire coatings back 1/4" (Figure 2). Connect/Crimp Terminal Ends FTM-0463 (Key 2) to wire. Push each Terminal into Connector Body FCN-0462 (Key 1) to lock in place. Push Seals FCS-0464 (Key 3) into Body FCN-0462(Key 1). Slide Locking Cap FCL-0465 (Key 4) over wires and push into Body(Key 1) to lock in place. The new terminal is now complete, plug into sensor.



IF1120 Rev B

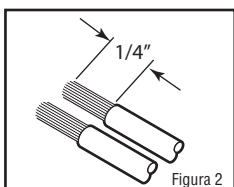


This Kit Contains:

KEY	PAI NO.	OEM REFERENCE	DESCRIPTION	QTY
1	FCN-0462	MAK 954AM14	Connector	1
2	FTM-0463	MAK 925AM3	Terminals	2
3	FCS-0464	MAK 970AM1	Connector Seals	2
4	FCL-0465	MAK 971AM9	Connector Lock	1
5	FSU-0560	MAK 64MT2112M	Sensor	1

La Unidad Sensora Temporera PAI # FSU-0554 (64MT298AM) ha sido reemplazada por un nuevo sensor PAI # FSU-0560 (64MT2112M), que tiene nuevas conexiones tipo 'Weather Pack'. Es necesario cambiar el enchufe del arnés para conectar el nuevo sensor. (Figura 1)

Corte el enchufe viejo del arnés y deslice los sellos (#3) en los alambres. Conecte y asegure los terminales #2 a los alambres, preparados según la Figura 2. Empuje cada terminal en el enchufe (#1) hasta que trabe en su sitio. Deslice los sellos (#3) en el enchufe (#1) y luego la tapa (#4) hasta que trabe en el enchufe (#1). El nuevo terminal está completo, conecte al sensor.



IF1120 Rev B

